



PONTO Table
Design: Troels Grum-Schwensen, 2019

LAMMHULTS



MODERN TECHNOLOGY MEETS CLASSIC CRAFTSMANSHIP

Ponto, meaning bridge in Esperanto, is 'exclusivity and simplicity' defined, where every detail breathes both designers and Lamhults sense of innovation and quality. Ponto is the table that allows modern technology to meet solid craftsmanship. The legs of Ponto are made of carefully selected solid wood that is milled to fit the aluminum profiles that support the entire table. Nothing on Ponto is unnecessary, with a maximum length of 558 cm, only four legs and table surfaces are all that is needed, no more no less, together they are whole and that is remarkable in its simplicity. Assembly is quick, by sliding the leg onto the aluminum profile to the desired position.



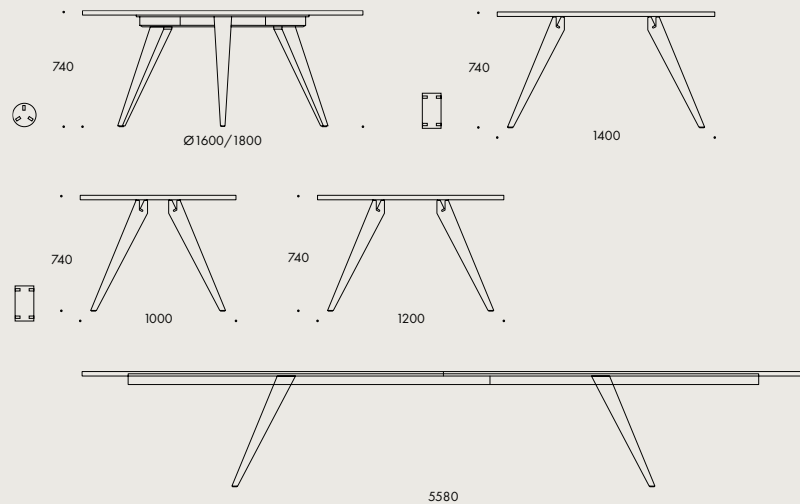


TABLE VARIANTS

Ponto table come in a number of standard sizes, in height 74 cm, with legs of solid ash, table top in linoleum (Nero/Iron), natural oak and natural or stained ash.



SPECIFICATIONS



Legs of solid wood available in the following materials:
natural ash alt. stained ash. Frames made of extruded
recycled aluminum.

Tabletop of 28mm wood fibre board in the following versions:

- Veneer: Natural ash/oak or stained ash with matching wooden edge.
- Linoleum: Nero alt Iron with a wooden edge in dark smoked oak. Additional deviating wooden edge in oak, ash, or walnut at an additional cost.

OPTIONS

- Deviating edge for Linoleum table top
- Power and communication ports





LAMMHULTS

Lammhults Möbel AB

Box 26
SE-363 03 Lammhult
Sweden

+46 472 26 95 00
info@lammhults.se
lammhults.se