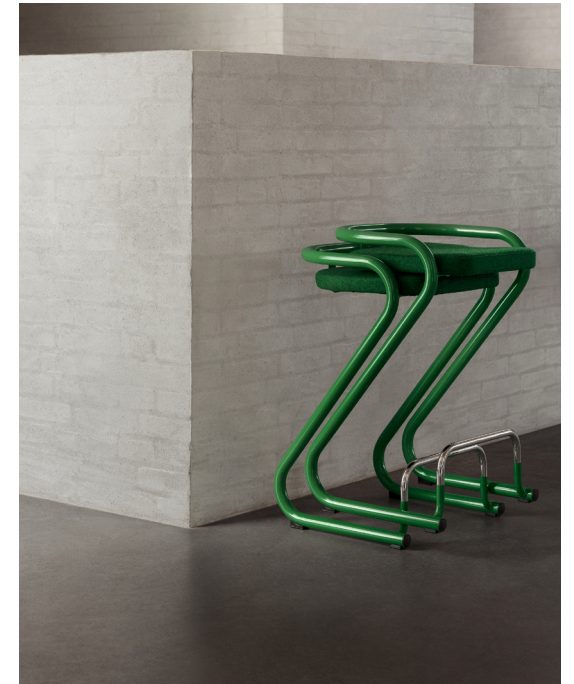




**S70-3** Barstool  
Design: Borge Lindau & Bo Lindekrantz, 1968



## STRENGTH OF STYLE THROUGH GENERATIONS

The S70 collection was launched in 1968, and it originally included 12 items, ranging from ashtrays and coat hangers to tables and chairs. The commanding design element of the series, both visual and structural, was its large-diameter tubing in steel, which gave the series its name. Together with a range of bold colors, this feature brought instant global recognition of the series and to Lammhults. The S70-3 stool remains the fresh face of Lammhults design, decade after decade

S70-3 barstool comes with a frame of chromium plated or powder coated steel tubing and a seat of natural birch alt. upholstered. The upholstered seat is stackable. The S70-3 can be suspendable from a table.









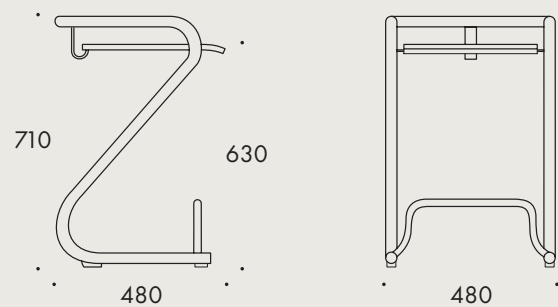
BARSTOOL WOODEN SEAT



BARSTOOL UPHOLSTERED SEAT



## SPECIFICATIONS



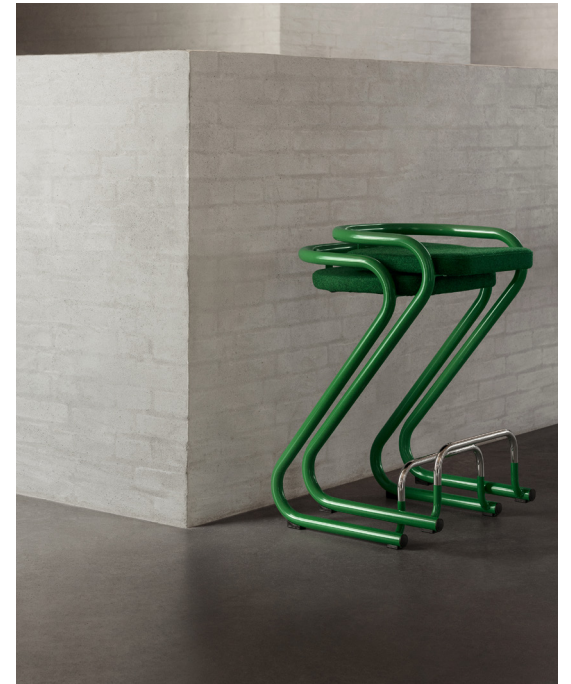
### STOOL / BARSTOOL

Frame of 16 mm chromium plated or powder coated steel tubing. Seat of standard colours light beige, grey, black, grey green, blue, orange, yellow brown & yellow. ABS plastic alt. upholstered. Embossed seat detail of powder coated or chromium plated die-cast zinc. The stool is stackable.

### WEIGHT

Barstool 6.3 kg





## **LAMMHULTS**

Lammhults Möbel AB

Box 26  
SE-363 03 Lammhult  
Sweden

+46 472 26 95 00  
info@lammhults.se  
lammhults.se