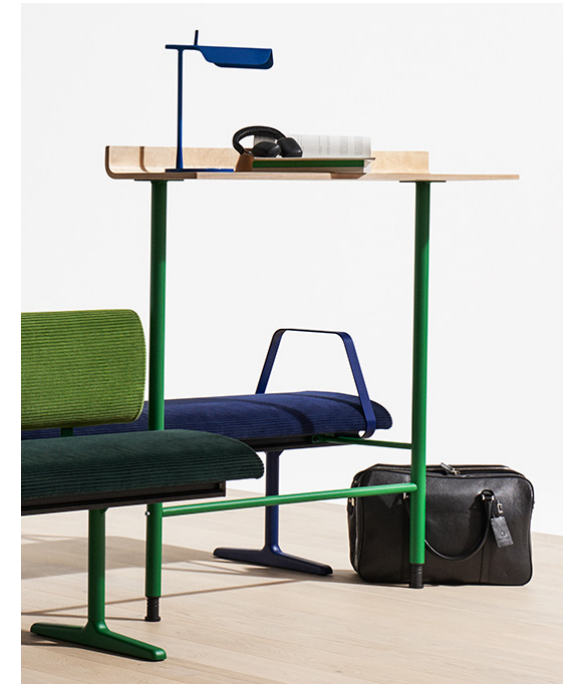


**TEIUS** Modular seating  
Design: Andrés Nilson, 2020

**LAMMHULTS**



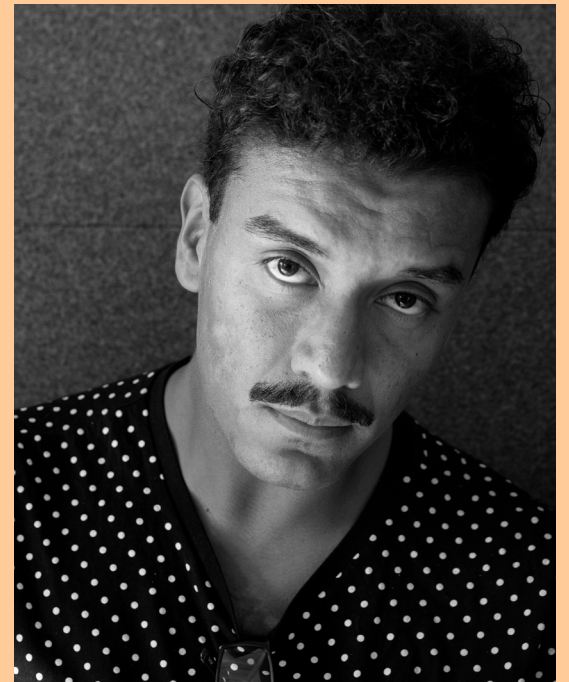
## VERSATILITY AND ADAPTABILITY

The idea for Teius was based on the challenge to combine function, precision and flexibility. The freestanding bench is the foundation, and more benches, backrests, armrests and connecting tables can be added on to create different lengths of extended seating solutions, optimised for specific environments. Play with different colours of seat and back, or go for a monochrome look. The frame is always powder coated, and the recycled aluminium base comes painted or polished. Versatility and adaptability combined with its many areas of use are the strengths and core of Teius modular seating.

Teius is a circular piece of sectional furniture in the form of a bench or sofa, which can be infinitely shaped and extended using connecting tables, armrests, high tables, power solutions and so on.

**“My sources of inspiration are mainly all the older masters. Especially the Danish designers strived for a totality between architecture and design, right down to the smallest door handle.”**

**- Designer, Andrés Nilson**







#### VARIANTS

The construction is based on an aluminium profile, and the various parts such as legs, seat, backrest etc. slide onto the profile and are simply screwed in place. The seat height can be varied between 46 and 50 cm, depending on which groove on the profile is used. It is also possible to order legs for seat height 63 cm. Bench and back available in three different lengths: 120, 180 or 240 cm.

BENCH H46



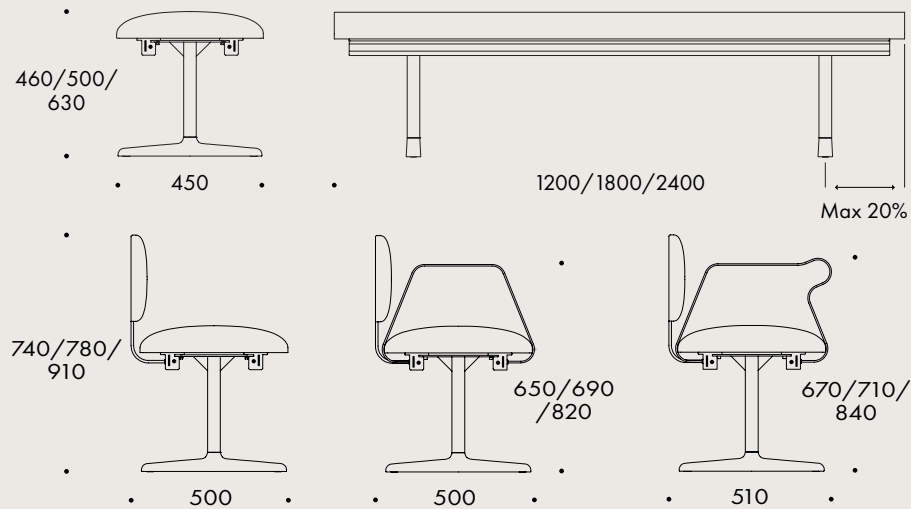
BENCH H50



BENCH H63



## SPECIFICATIONS



Pillar base of texture powder coated steel tubing, Ø40mm. With texture powder coated cast aluminum foot alt. polished against additional cost. Profiles in black extruded aluminum. Seat and back in plywood with high resilient polyurethane foam. Bench and back available in three different lengths: 120, 180 or 240 cm.

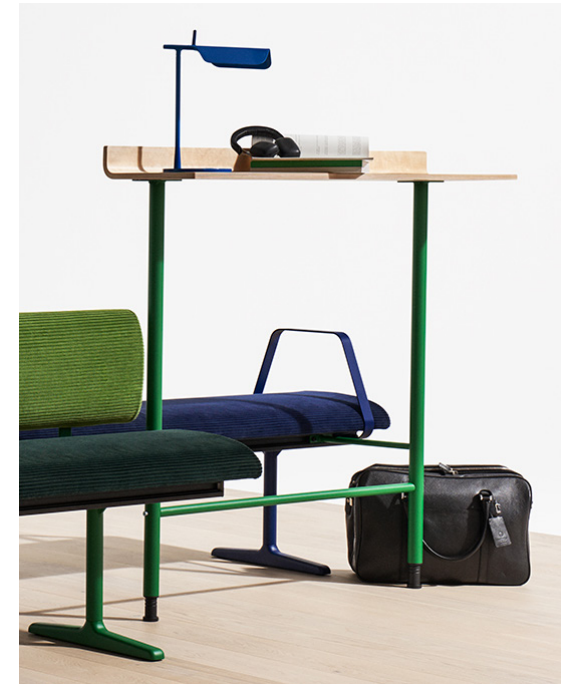
### UPHOLSTERY:

- Fabric/Leather

### OPTIONS:

- Polished aluminum foot
- Armrest, texture powder coated
- Armrest with raising aid, texture powder coated.
- Connecting table in 12 mm white or black compact laminate with texture powder coated arm:
  - square 45x45
  - 60°
  - 90°
- Stand table, 120x33, 16 mm ash veneer, natural or stained in white or black with texture powder coated frame. (Not in combination with bench 120cm incl. back)
- Side table Ø30cm in white or black compact laminate with texture powder coated arm.
- Linking device back to back.
- Wall spacer.
- Floor anchor.





## LAMMHULTS

Lammhults Möbel AB

Box 26  
SE-363 03 Lammhult  
Sweden

+46 472 26 95 00  
info@lammhults.se  
lammhults.se